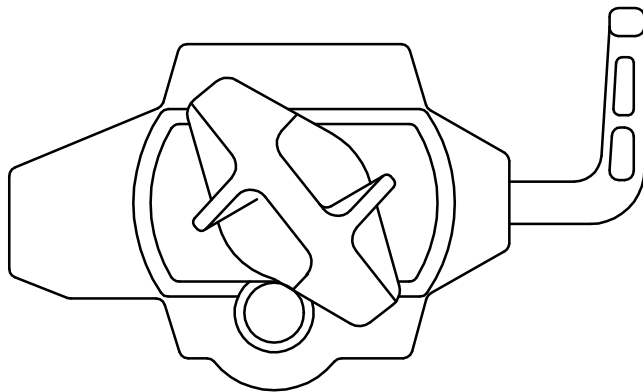
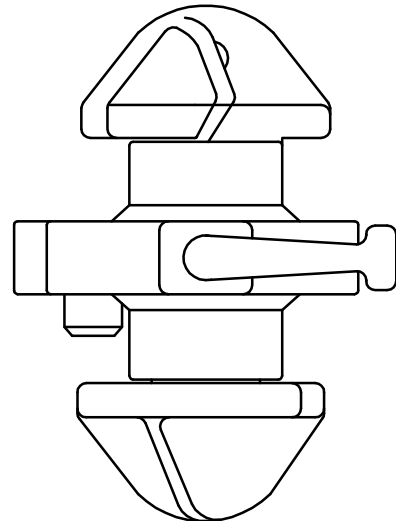
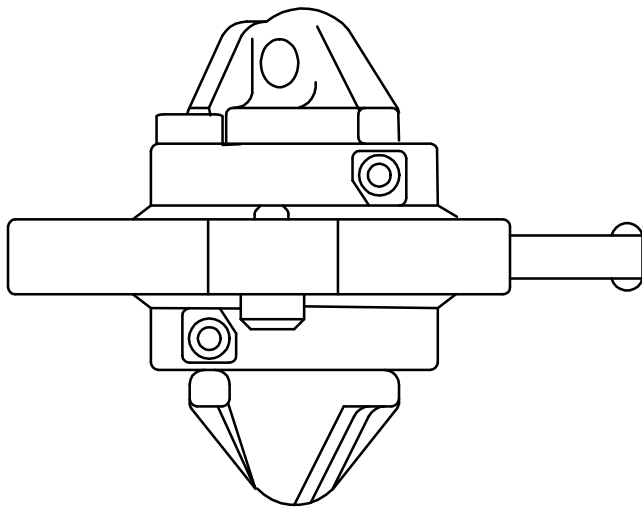


NAME

SEMI AUTO TWISTLOCK

MODEL NO.

NA-3J



(P.A.T.)

FINISHED : Galvanized

WEIGHT : 7.2kg

B.L. : Tention 50.0 ton (490.3kN)
Shear 42.0 ton (411.9kN)